



**TEST AND CERTIFICATES For VRSA FILTERS**

- Functional test at full performance.
- Pressure test of complete system.
- Work's certificate of Vessels system's pressure test.
- Work's certificate of performance test covering datas about flow rates, operating pressures etc.



**5551** / Lemico

Simplifying your solution  
For filtration

International Filter Technology



**Filters Multi-Purpose Design**

**VRSA**



- \* FILTER SEPARATOR.
- \* MICROFILTER.
- \* MONITOR FILTERS.
- \* CLAY FILTERS

- Compact
- Flexible Filtration
- Simplified Maintenance



**new**

**GUARANTEE**

There is nothing more important to our company satisfying our customers and exceeding their expectations. For this reason, Infiltek provides a Satisfaction Guarantee.

We are so confident in our ability to deliver the highest quality equipment, in the industry, that we are pleased to provide this **Satisfaction Guarantee**.

**MANUALS VRSA FILTERS**

**EACH UNIT HAVE TWO (02) COPIES FROM OPERATING AND MAINTENANCE MANUAL WITH**

**THE FOLLOWING:**

INCLUDE IDENTIFICATION SERIAL NUMBER, AND TEST RECORDS. WHICH DETAILS THE OPERATION AND MAINTENANCE REQUIREMENTS.

OPERATING INSTRUCTIONS, DRAWINGS OF ALL SYSTEMS AND SUBSYSTEMS.

BILL OF MATERIALS WITH RECOMENDED SPARES PARTS (BOM LIST).

COPY OF CATALOGS OF EACH COMPONENT.

**Engineering & Design Services**

*For industry, every facility is different. Standard equipment may not meet the demands of your situation or location. Our engineers will work with you to modify existing equipment, or create custom designs, that do exactly what you want. To get started, contact us today.*

*As experts in filtration, we have worked in every situation possible. But we still approach every need of the client with the goal of helping you create an efficient, effective operation. To make sure you have the best equipment for your facility, Our engineers will help you upgrade or create the systems you need.*



385 Watline Ave. Mississauga,  
ONTARIO, CANADA  
Phone 1 (905) 568 1817  
Fax. 1(905) 568 1814  
www.infiltek.com

With only one vessel type you can transform your filtration process according your needs



### APPLICATIONS

- Jet Fuel
- Avgas
- Motor Gasoline
- Diesel Fuel
- Kerosene
- Turbine Lube Oil
- Insulating Oil
- Biodiesel Blends

Ours VRSA Series filter vessels offer a versatile, economical alternative to. Industry applications include removing liquid, solid and chemical contaminants with easy conversion to a prefilter, filter/separator, clay or monitor by changing internal components or flow direction or by selecting optional filter cartridges when ordering

The VRSA can be used on mobile refuelling equipment, fuelling cabinets and for fixed fuelling installations

VRSA - X - XX - XX  
 VESSEL SIZE I, II OR III  
 FILTER INSTALLATION KIT  
 FILTER SEPARATOR = FS  
 MICRONIC FILTER = MS  
 MONITOR = WA  
 CLAY FILTER = CL

OPTIONAL ACCESSORIES  
 = NONE  
 AR = ALL RECOMMENDED ACCESSORIES  
 A1.A2.A3 ETC FOR EACH ACCESSORY

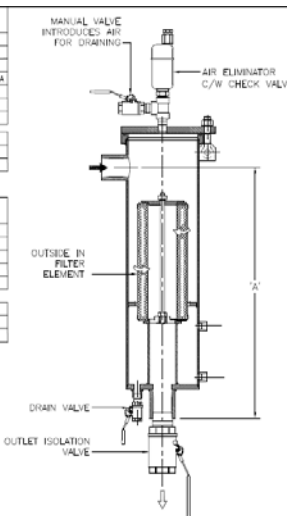
### FEATURES

- RUGGED CARBON STEEL CONSTRUCTION
- EASY ACCESS SWINGBOLT CLOSURE
- ACCEPTS FACET, RACOR AND VELCON FILTER ELEMENTS
- AVAILABLE WITH EPOXY LINING
- ASME 'UM' STAMPED RATED AT 150 PSI MAWP
- EASILY FIELD CONVERTED
- VESSEL IS CUSTOMIZABLE TO SUIT CUSTOMER NEEDS
- AVAILABLE IN STAINLESS STEEL AND ALUMINUM

-MS SERIES MICRONIC FILTER			
DIM.	VRSA-I	VRSA-II	VRSA-III
A	29-3/4"	44-3/4"	59-3/4"
ELEMENTS	QTY=1	QTY=2	QTY=3
1 MICRON	RL-014-1A	RL-014-1A	RL-014-1A
2 MICRON	RL-014-2A	RL-014-2A	RL-014-2A
3 MICRON	RL-014-3A	RL-014-3A	RL-014-3A
FLOW			
WATER	50 GPM	100 GPM	150 GPM
KEROSENE	66 GPM	133 GPM	200 GPM

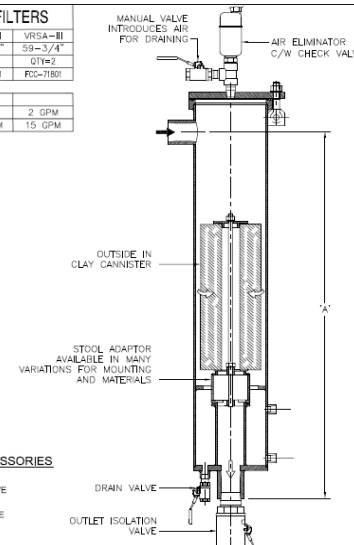
-WA SERIES MONITOR MODEL#			
DIM.	VRSA-I	VRSA-II	VRSA-III
A	29-3/4"	44-3/4"	59-3/4"
ELEMENTS	QTY=1	QTY=2	QTY=3
5 MICRON	RLWA-015	RLWA-015	RLWA-015
25 MICRON	RLWA-015	RLWA-015	RLWA-015
FLOW			
WATER	30 GPM	58 GPM	88 GPM
KEROSENE	60 GPM	116 GPM	174 GPM

- RECOMMENDED ACCESSORIES
- A1. INLET ISOLATION VALVE
  - A2. OUTLET ISOLATION VALVE
  - A3. AIR ELIMINATOR
  - A4. PRESSURE RELIEF VALVE
  - A5. DRAIN VALVE
  - A6. DELTA P GAUGE



EQUIPMENT: MICRONIC / MONITOR  
 MODEL NO: VRSA-SERIES

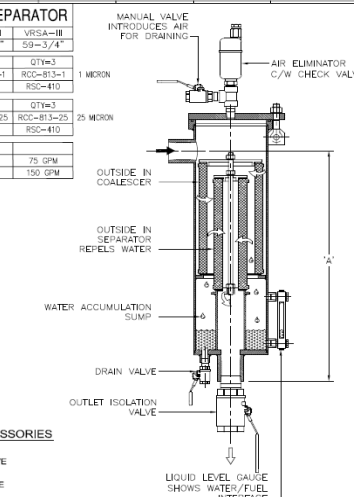
-CL SERIES CLAY FILTERS			
DIM.	VRSA-I	VRSA-II	VRSA-III
A	29-3/4"	44-3/4"	59-3/4"
ELEMENTS	N/A	QTY=1	QTY=2
RO MEM	N/A	RCC-7180	RCC-7180
FLOW			
WATER		1 GPM	2 GPM
KEROSENE		7.5 GPM	15 GPM



- RECOMMENDED ACCESSORIES
- A1. INLET ISOLATION VALVE
  - A2. OUTLET ISOLATION VALVE
  - A3. AIR ELIMINATOR
  - A4. PRESSURE RELIEF VALVE
  - A5. DRAIN VALVE
  - A6. DELTA P GAUGE

EQUIPMENT: CLAY FILTER  
 MODEL NO: VRSA-SERIES

-FS SERIES FILTER SEPARATOR			
DIM.	VRSA-I	VRSA-II	VRSA-III
A	29-3/4"	44-3/4"	59-3/4"
ELEMENTS	QTY=1	QTY=2	QTY=3
COALESCER	RCC-813-1	RCC-813-1	RCC-813-1
SEPARATOR	RSC-410	RSC-410	RSC-410
ELEMENTS	QTY=1	QTY=2	QTY=3
COALESCER	RCC-813-25	RCC-813-25	RCC-813-25
SEPARATOR	RSC-410	RSC-410	RSC-410
FLOW			
WATER	25 GPM	50 GPM	75 GPM
KEROSENE	50 GPM	100 GPM	150 GPM



- RECOMMENDED ACCESSORIES
- A1. INLET ISOLATION VALVE
  - A2. OUTLET ISOLATION VALVE
  - A3. AIR ELIMINATOR
  - A4. PRESSURE RELIEF VALVE
  - A5. DRAIN VALVE
  - A6. DELTA P GAUGE
  - A7. LIQUID LEVEL GAUGE

EQUIPMENT: FILTER SEPARATOR  
 MODEL NO: VRSA-SERIES

WE'VE WORKED WITH A DIVERSE CUSTOMER BASE. HOW CAN WE HELP YOU?



International  
 Filter  
 Technology

For more specification contact us or ask for specific filter VRSA catalogue or spec. sheet